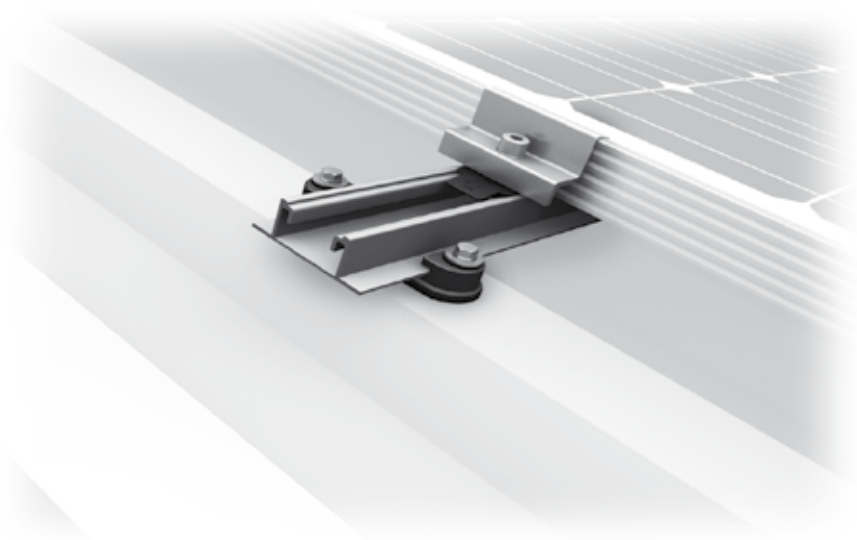


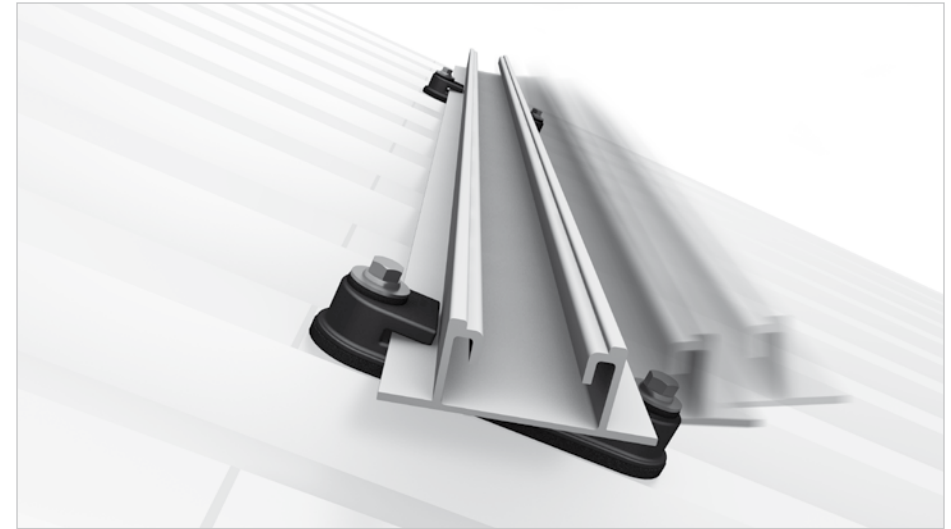
Mounting systems for solar technology



K2 SYSTEMS  
**SLOPED ROOF SYSTEMS**  
**SPEEDRAIL SYSTEM**

# SPEEDRAIL SYSTEM

- The K2 SpeedRail system for trapezoidal sheet metal roofs
- Simple and extremely fast assembly from above with the K2 SpeedClip and K2 SpeedLock
- System rails K2 SpeedRail 22, K2 SpeedRail 36
- Very attractive price-performance ratio
- Can also be installed in cross bracing (e.g. with CrossRail)
- General technical approval Z-14.4-603 has been applied for
- CSTB certification for France
- High flexibility - for all module types



Detail illustration - SpeedRail

## Technical data



Field of application	Sloped roof of 5 ° - 75 ° roof pitch
Roofing	Minimum thickness of 0.5 mm for steel sheeting and a minimum thickness of 0.8 mm for aluminium sheeting
PV modules	Suitable for all standard module types
Module orientation	Vertical / horizontal (cross bracing with K2 AddOn)
Material	Aluminium (EN AW-6063 T66)
Connecting elements	Stainless steel screws A2-70, plastic PA66 GF35
Roof connection	Technically approved self-tapping screws with SpeedClip
Static principles	Calculation principles in accordance with Eurocode 9 - dimensioning and construction of aluminium structures,
Load assumption in accordance with	DIN EN 1991 (Eurocode 1)
System components	SpeedRail range, SpeedClip, SpeedLock, mid and end clamp sets, M K2



System Explosion drawing



Cernay - France  
System: 1,136 MW | SpeedRail with AddOn



Gäufelden-Nebbringen - Germany  
System: 31,85 kW | SpeedRail

SERVICE-HOTLINE  
**+49 (0)7152 3560-0**  
[www.k2-systems.com](http://www.k2-systems.com)

Product Sheet SpeedRail | GB4 | 0413 | Subject to change  
Product illustrations are exemplary illustrations and may differ from the original.

